

Specification of installation

In order to ensure safety use, please notice the following items:

.Read and understand the whole Specification

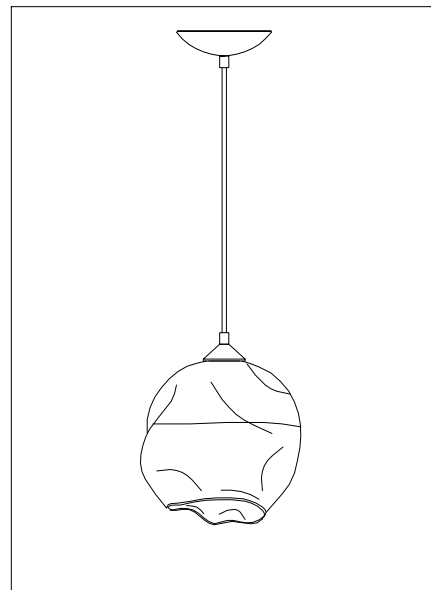
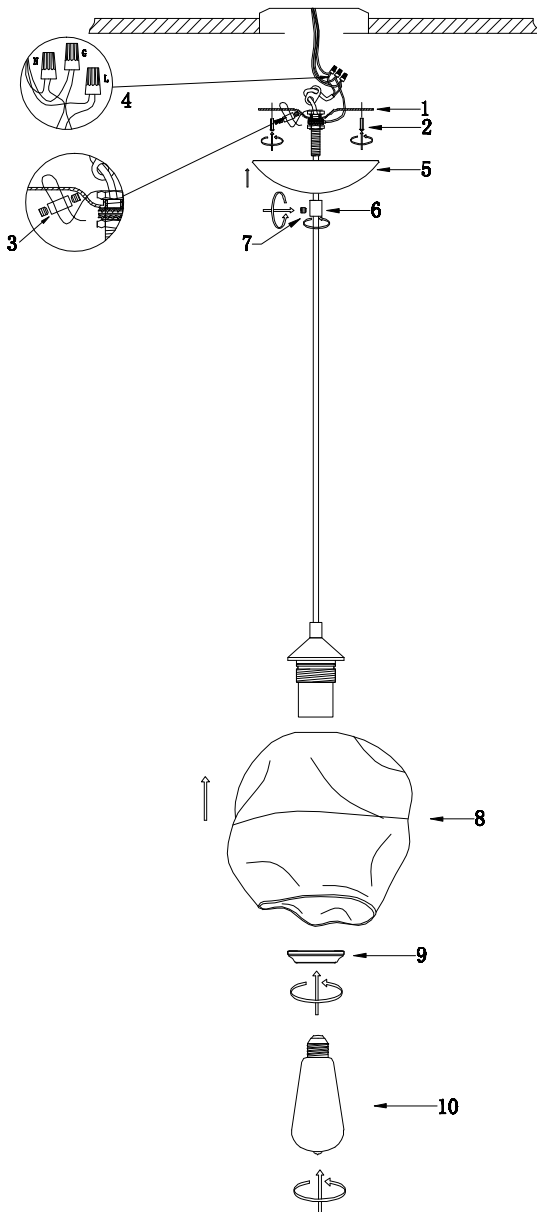
.Suitable for the use of 110~130V and 60HZ

.Please wear gloves as installment and avoid rot on the surface of plating

.Must be installed on the fixed places and be checked annually

.Please turn off the lighting source by soft cloth as cleaning prohibited to use of rotted detergent

.Please connect with the local sales service center when there are any abnormality



- 1 Mounting**
- 2 M4 Screw**
- 3 Cable lock**
- 4 Spring Terminal**
- 5 Canopy**
- 6 M10 Nut**
- 7 M4 Screw**
- 8 Glass ball**
- 9 Aluminum parts**
- 10 E27 bulb**