

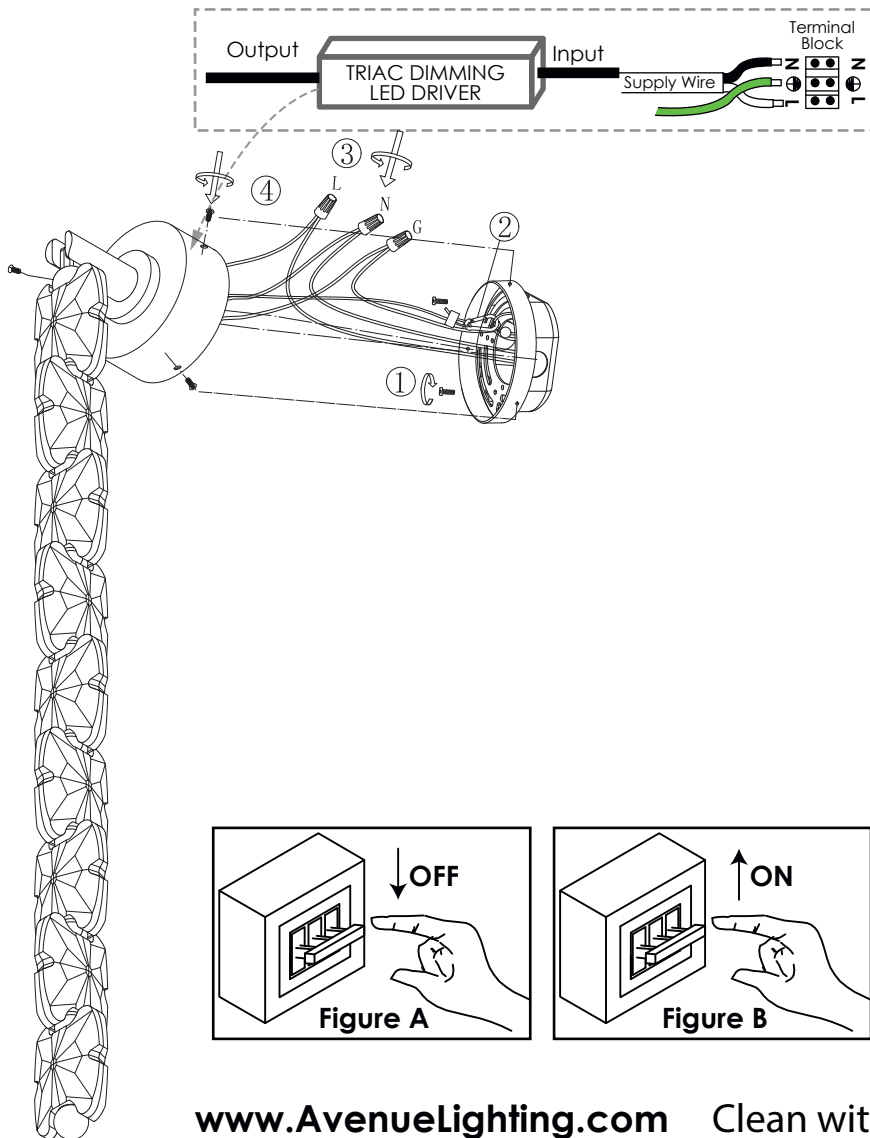
Thank you for your purchase.

Welcome to the Avenue Lighting Family. Please follow these instructions carefully as they contain important information about the safety, use and disposal of this product. Read and understand all instructions before proceeding with assembly and installation of this fixture.

- This fixture **MUST** be installed by a licensed electrician.
- All parts must be used as indicated in this install sheet.
- DO NOT** substitute any parts, leave parts out, or use parts that are worn out or broken.
- This fixture is intended for installation in accordance with the **National Electrical Code (NEC) and all local code specifications.**
- Use **ONLY** the supplied LED driver to power this fixture.
- Do NOT** operate fixture if any lights are not operating or are operating improperly in order to prevent further damage.

Preparation:

Carefully remove the fixture from the carton and check that all parts are included as shown in the illustration. If any parts are missing or damaged, DO NOT attempt to assemble the product.



Tools Required

(not included):

- ~ Phillips screwdriver
- ~ Flathead screwdriver
- ~ Wire Strippers
- ~ Electrical Tape
- ~ Ladder
- ~ Safety Glasses

Assembly Instructions:

1. Please turn off the power before installing the lamp [see figure A]
2. Remove the mounting bracket from the top box, then place the mounting bracket on the junction box. Next tighten with the junction box screw.
3. Connect the lamp power cord to the main power cord of the junction box. [white connect white, black connect black]
4. Wrap the naked copper in the junction box around the green screw. Lock the green screw in the tooth hole. Connect the naked copper of the lamp and the naked copper of the junction box with the terminal.
5. Secure the canopy to the mounting plate using the mounting screws.
6. Turn on the power [see figure B]