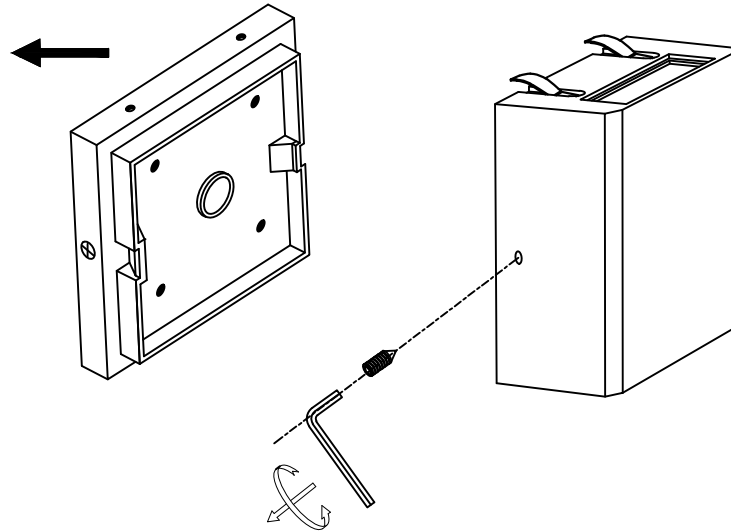
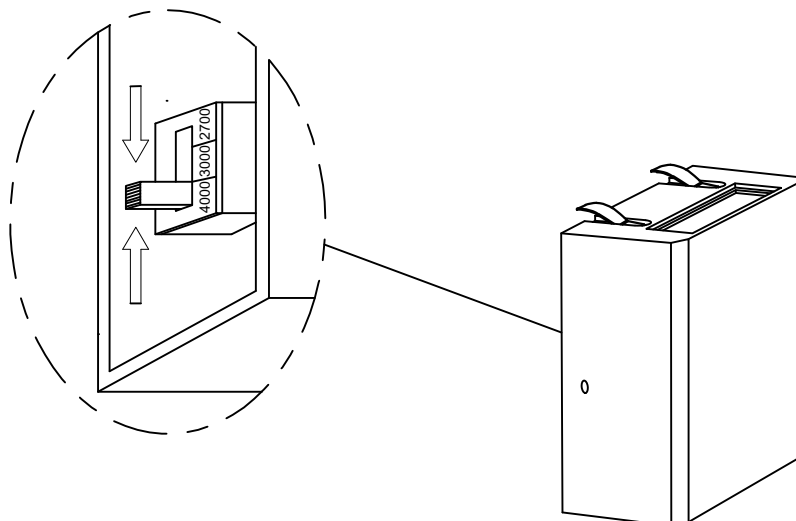


3CCT Color Temperature Adjustment Instructions

Note: This product features 3CCT (3-in-1 Color Temperature) design, with optional color temperatures: 2700K / 3000K / 4000K. Please follow the steps below to adjust the color temperature:



1. Use the Allen Key from the accessory pack to remove the mounting plate from the side of the fixture.
2. You will see the slide switch with 3 selectable positions, corresponding to 2700K, 3000K, and 4000K respectively.



3. Slide the switch to your desired color temperature position, then re-install and secure the Mounting Plate as original.

Final Tip: The adjustment is completed once the mounting plate is locked back in place, and the fixture will work at the selected color temperature.